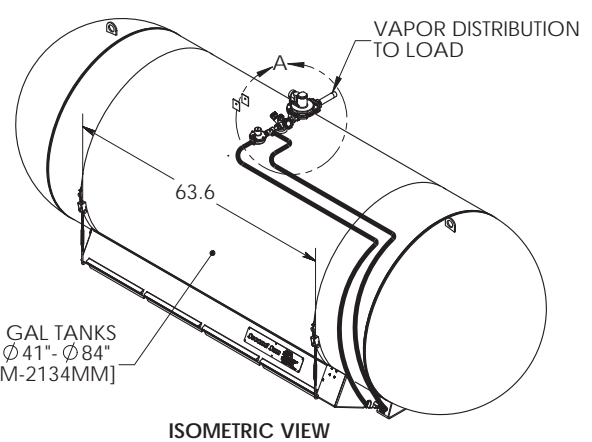
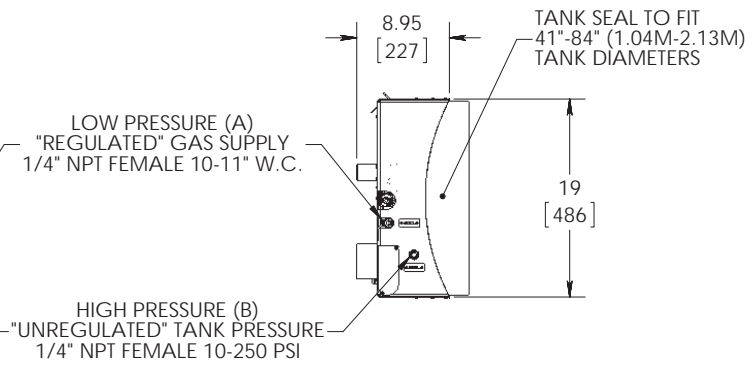
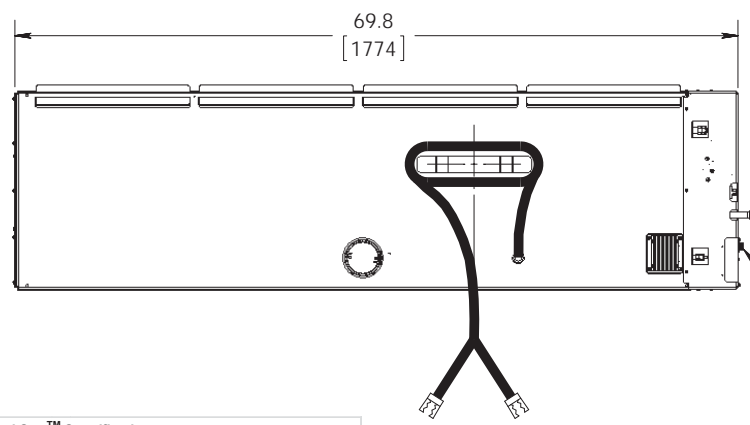
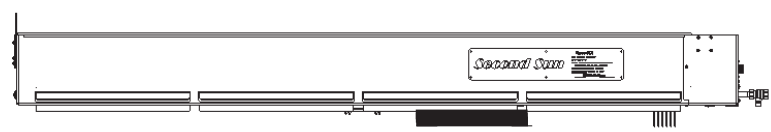


REVISIONS		
REV.	DESCRIPTION	REV. BY
A	INITIAL RELEASE	SRB 6/17/11



1000 - 12000 GAL TANKS
 Ø 41" - Ø 84"
 [1041MM-2134MM]



Second Sun™ Specifications	
Vaporizer Type	Infrared Flameless Catalytic
Tank Size	1000 Gal to 12000 Gal (3,785 l. to 45,420 l.)
Tank Diameter	41 in. to 84 in. (1.04m to 2.13m)
Design Vaporization Capacity	2.2 Million Btu/hr @ -20°F at STP
Weight	125 lb (56.7 kg)
Shipping Weight est.	315 lb (142.8 kg)
Heat Input Maximum	30000 Btu/hr (7560 kcal/hr)
Fuel Type	Propane, Butane, LPG mix
Operating Temperature	-40F to 120F (-40C to 49C)
Pressure Set Point	55 PSI
Approvals	Class 1, Division 2, Group D, Hazardous Locations

THIRD ANGLE PROJECTION DO NOT SCALE DRAWING	TOLERANCES UNLESS OTHERWISE SPECIFIED X ± 0.1 XX ± 0.06 .XXX ± 0.030 ANGLE ± 0°30' FRACTIONS ± 1/16"	 151 S. Michigan St., Seattle, Washington, USA 98108 Tel: (206) 789-5410 Fax: (206) 789-5414	Drawn By: SRB
			Checked By: MK
INTERPRET THIS DRAWING IN ACCORDANCE WITH ANSI/ASME Y14.5-2009 THIS DRAWING SHALL NOT BE REPRODUCED OR USED IN ANY MANNER DETRIMENTAL TO ITS INTERESTS. ALL RIGHTS RESERVED. © COPYRIGHT ALGAS-SDI		Part # 2201-6001	Approved By: [Signature] Date: 6/17/11 Scale: 1:10 AND NOTED Job # A.S.D.I. STD.
Title: SECOND SUN EQUIPMENT DRAWING		Size: B	Rev.: A
Dwg. # 2201-6001		Sht. No.: 1 of 1	Rev.: A