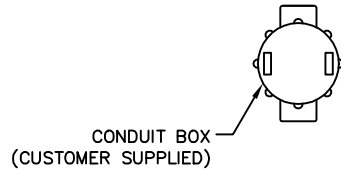
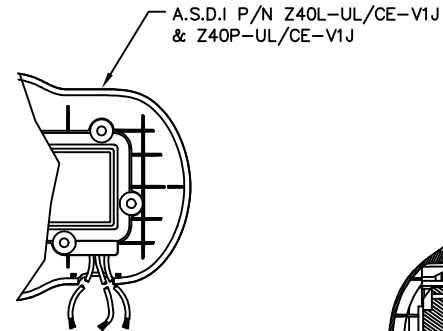
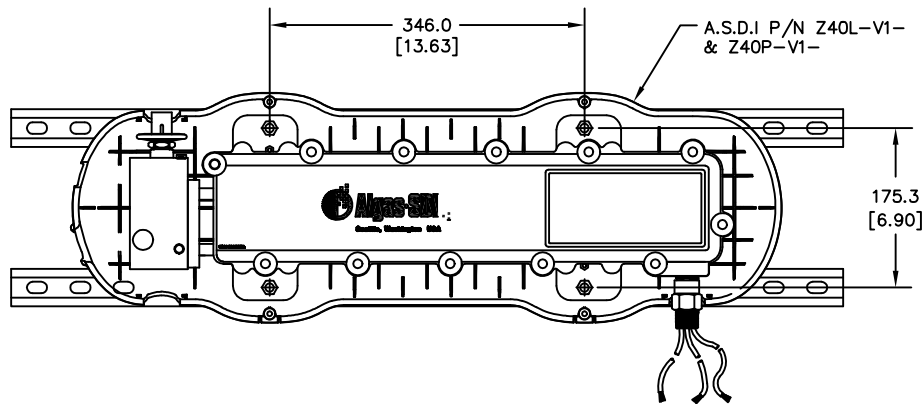
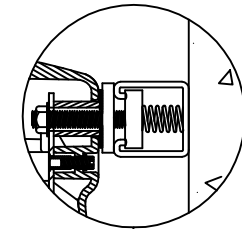
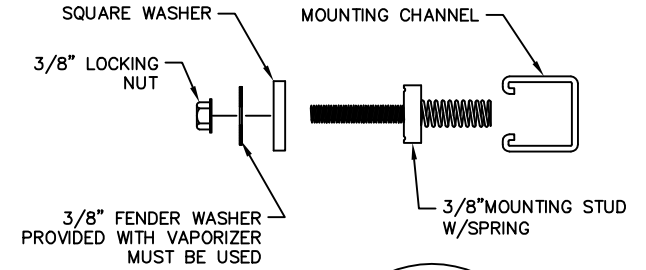


MOUNTING CHANNEL INSTALLATION FOR SOFT (WOOD) WALLS

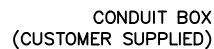
MOUNTING CHANNEL INSTALLATION FOR CONCRETE WALLS

ANCHORING METHODS FOR RECOMMENDED MOUNTING KIT A.S.D.I. PART NO. 80885

REVISIONS		
Rev	Description	Rev. by
A	1) INITIAL RELEASE	7-17-02
B	1) REMOVED ALL PIPING DETAILS 2) REMOVED CONDUIT PART NUMBER KIT	G.L.R. 9-5-02
C	1) ADDED NON WIRE SEAL DETAIL	G.L.R. 9-25-03



3/4" SEAL OFF
(CUSTOMER SUPPLIED)



NOTES

- 1) POSITION VAPORIZER HORIZONTAL ON VERTICAL WALL AS SHOWN. TO MAINTAIN NEMA 3R ENCLOSURE RATING
- 2) ELECTRICAL: 120V/220V/240V VAC, 1PH, 50/60HZ, 3,27/4,68/4,68 KW
- 3) DIMENSIONS SHOWN; MM [INCHES]

Algas-SDI
 1140 N.W. 46th St., Seattle, Washington, USA 98107
 Tel: (206) 789-5410 Fax: (206) 789-5414

Title
**ZIMMER ELECTRIC
 LP-GAS VAPORIZER
 MOUNTING DETAILS**

Drawn By G. ROPPE	Date 9-5-02	Dep. No.
Checked By	Scale NONE	0901-8002
Approved By	Job No. A.S.D.I. STD.	
Part Number		Size C

Sht. No. 1 of 1	Rev. C
--------------------	-----------

This drawing is the property of Algas-SDI and is not to be reproduced nor used in any manner detrimental to our interests. All rights are reserved.