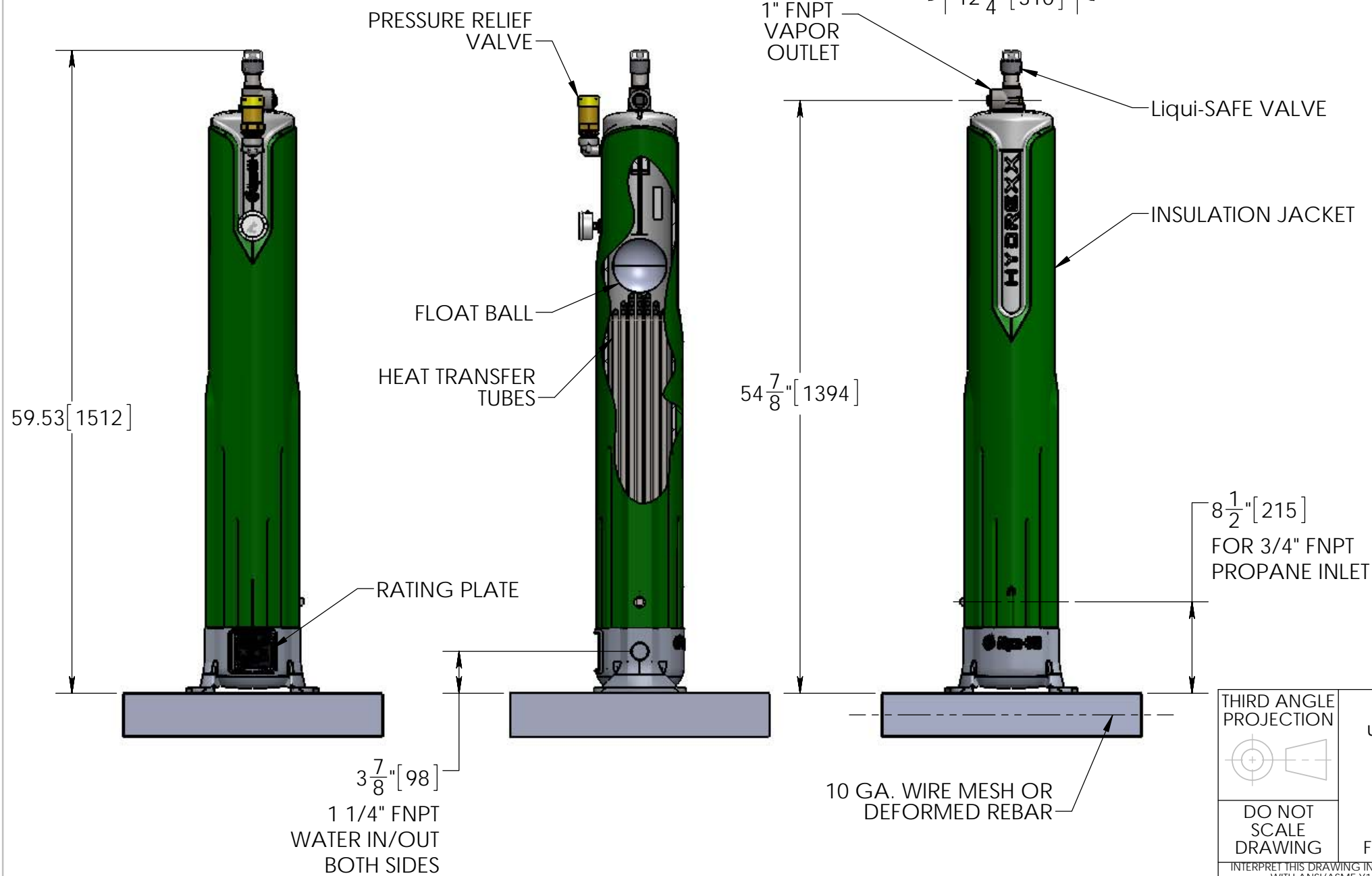


ISOMETRIC VIEW
NO SCALE



NOTES:

1. ALL DIMENSIONS SHOWN AS INCHES [mm]
2. PRESSURE VESSEL RATED AT 250 PSIG.
3. SUITABLE FOR INDOOR/OUTDOOR INSTALLATION.
4. RELIEF VALVE SETTINGS 250 PSIG.
5. AVOID DRY RUBBING OF THE INSULATION JACKET TO AVOID ELECTRO STATIC CHARGING HAZARD. ALWAYS USE A DAMP CLOTH FOR CLEANING.

THIRD ANGLE PROJECTION



DO NOT SCALE DRAWING

INTERPRET THIS DRAWING IN ACCORDANCE WITH ANSI/ASME Y14.5-2009

THIS DRAWING SHALL NOT BE REPRODUCED OR USED IN ANY MANNER DETRIMENTAL TO ITS INTERESTS. ALL RIGHTS RESERVED.

© COPYRIGHT ALGAS-SDI

TOLERANCES UNLESS OTHERWISE SPECIFIED

.X ±
.XX ±
.XXX ±

ANGLE $\pm 0^{\circ}30'$
FRACTIONS $\pm 1/4"$



151 S. Michigan St., Seattle, Washington, USA 98108
Tel: (206) 789-5410 Fax: (206) 789-5414

Part # 1801-6001

HYDREXX SERIES VAPORIZER

Drawn By: A. FIGLIOLI

Checked By: DN

Approved By:

Date: 6/10/11

Scale: 1:12 AND NOTED

Job # A.S.D.I. STD.

Title:

Size: B

Dwg. #

1801-6001

Sht. No.:

1 of 1

Rev.: A