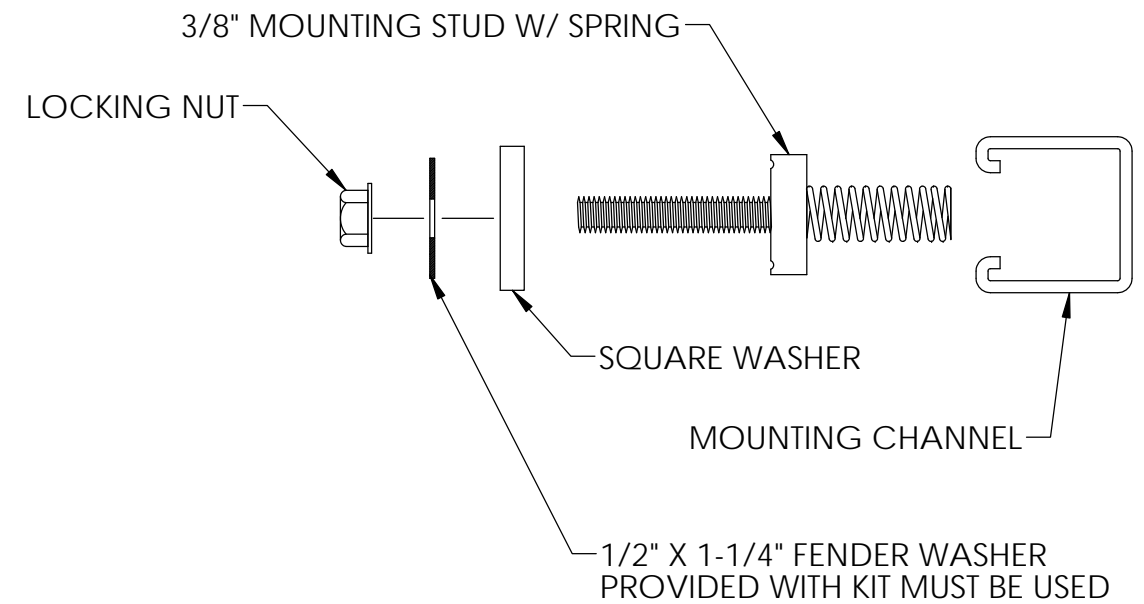
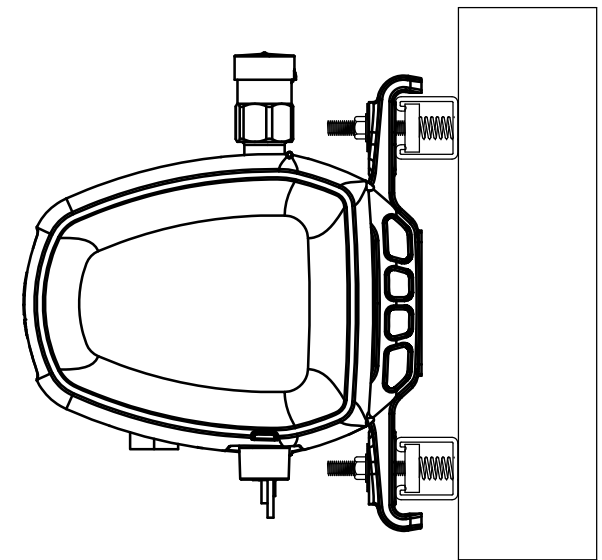
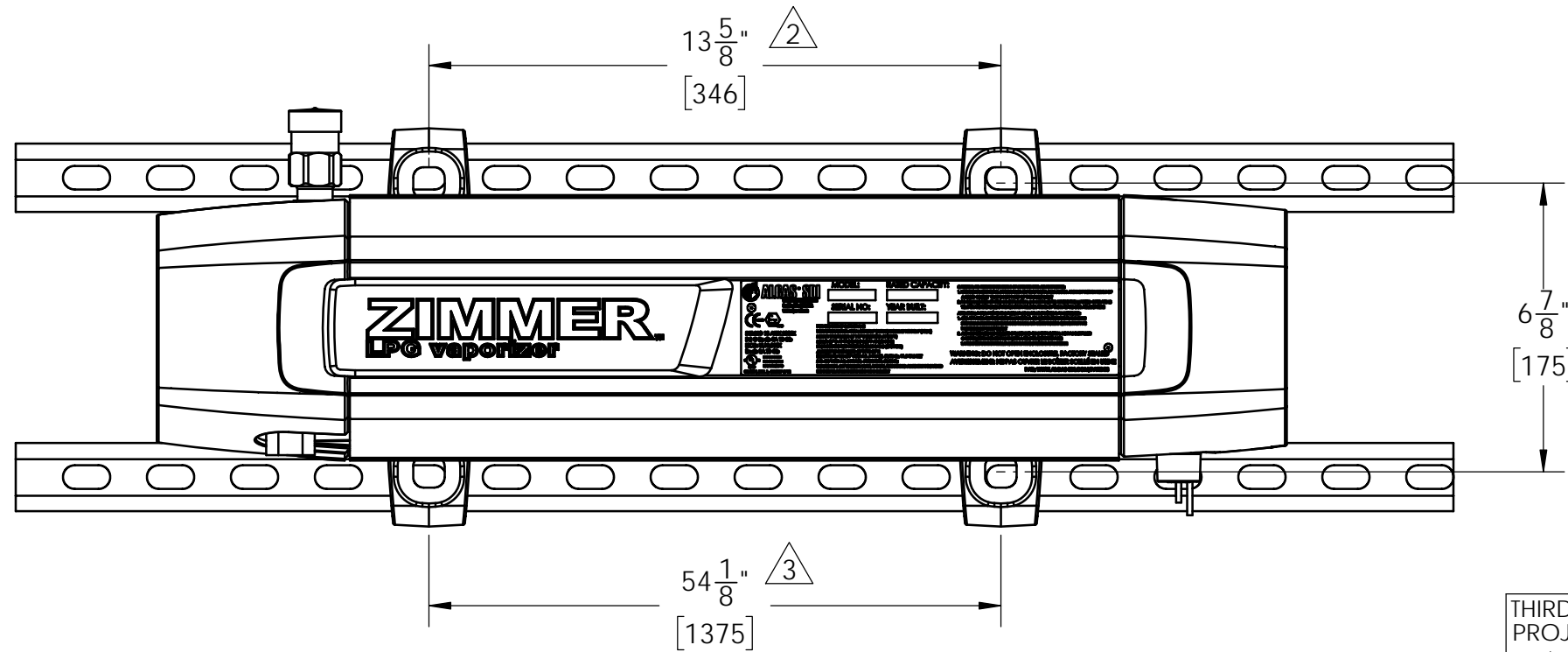


MOUNTING CHANNEL INSTALLATION FOR SOFT (WOOD) WALLS

MOUNTING CHANNEL INSTALLATION FOR CONCRETE WALLS

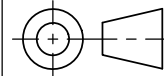


ANCHORING METHODS FOR RECOMMENDED MOUNTING KIT ASDI P/N 80885 & 81635



- NOTE:
 1. DIMENSIONS SHOWN INCHES [MM]
 2. DIMENSION FOR Z25, Z40 & Z50
 3. DIMENSION FOR Z100 & Z150

THIRD ANGLE PROJECTION



DO NOT SCALE DRAWING

TOLERANCES UNLESS OTHERWISE SPECIFIED
 .X ± 0.10
 .XX ± 0.030
 .XXX ± 0.010
 ANGLE ± 1°
 FRACTIONS ± 1/4"



Drawn By: AAS
 Checked By: DN
 Approved By:
 Date: 5/21/2018
 Scale: 1:8 AND NOTED
 Job #: ASDI STD

INTERPRET THIS DRAWING IN ACCORDANCE WITH ANSI/ASME Y14.5-2009
 THIS DRAWING SHALL NOT BE REPRODUCED OR USED IN ANY MANNER DETRIMENTAL TO ITS INTERESTS. ALL RIGHTS RESERVED.
 © COPYRIGHT ALGAS-SDI

Title: ZIMMER ELECTRIC LP-GAS VAPORIZER MOUNTING DETAILS
 Size: B Dwg. #: 0903-8004 Sht. No.: 1 of 1 Rev.: B